



**ROSYTH SCHOOL**  
**2024 WEIGHTED ASSESSMENT (TERM THREE)**  
**PRIMARY 5 MATHEMATICS**  
**PAPER 1**

Name: \_\_\_\_\_

Register No. \_\_\_\_\_

Class: Pr 5 - \_\_\_\_\_

Date: 20 August 2024

Parent's Signature: \_\_\_\_\_

Total time for Booklets A and B: 25 minutes

**Booklet A**

Instructions to Pupils:

1. Do not turn over this page until you are told to do so.
2. Follow all instructions carefully.
3. Answer all questions.
4. Use a dark blue or black ballpoint pen to write your answers in the space provided for each question.
5. Do not use correction fluid/tape.
6. Do not use highlighters on any part of your answers.
7. The use of a calculator is **NOT** allowed.

Section	Maximum Marks	Marks Obtained
Paper 1 (Booklet A)	5	

\* This paper consists of 3 printed pages altogether (including this cover page).

This paper is not to be reproduced in part or whole without the permission of the Principal.



**Section A – MCQ**

Questions 1 to 5 carry 1 mark each. For each question, four options are given. One of them is the correct answer. Make your choice (1, 2, 3 or 4) and write your answer in the brackets provided.

*All diagrams in this paper are not drawn to scale unless stated otherwise.*

(5 marks)

1. Express  $\frac{8}{25}$  as a percentage.

- (1) 8%  
 (2) 16%  
 (3) 32%  
 (4) 40%

( )

2. The following table shows the mass of each child 5 years apart.

Name of Child	Year 2020 (kg)	Year 2024 (kg)
Ahmad	17	32
Betty	20	30
Chandra	14	22

What is the average mass of the children in Year 2020?

- (1) 17 kg  
 (2) 28 kg  
 (3) 51 kg  
 (4) 84 kg

( )

3. Find the value of  $0.802 \times 30$ .

- (1) 2.46
- (2) 24.6
- (3) 2.406
- (4) 24.06

( )

4. Express 4 l 64 ml in litres.

- (1) 4.064 l
- (2) 4.64 l
- (3) 464 l
- (4) 4064 l

( )

5. 7 children shared 4 litres of orange juice equally. How much orange juice did each child get? Express your answer in litres, rounded to 1 decimal place.

- (1) 0.5 l
- (2) 0.6 l
- (3) 1.7 l
- (4) 1.8 l

( )

Go on to Booklet B



**ROSYTH SCHOOL**  
**2024 WEIGHTED ASSESSMENT (TERM THREE)**  
**PRIMARY 5 MATHEMATICS**  
**PAPER 1**

Name: \_\_\_\_\_

Register No: \_\_\_\_\_

Class: Pr 5 - \_\_\_\_\_

Date: 20 August 2024

Parent's Signature: \_\_\_\_\_

Total Time for Booklets A and B : 25 minutes

**Booklet B**

Instructions to Pupils:

1. Do not turn over this page until you are told to do so.
2. Follow all instructions carefully.
3. Answer all questions.
4. Use a dark blue or black ballpoint pen to write your answers in the space provided for each question.
5. Do not use correction fluid/tape.
6. Do not use highlighters on any part of your answers.
7. The use of a calculator is **NOT** allowed.

Section	Maximum Marks	Marks Obtained
Paper 1 (Booklet B)	15	

\*This booklet consists of 6 printed pages (including this cover page).

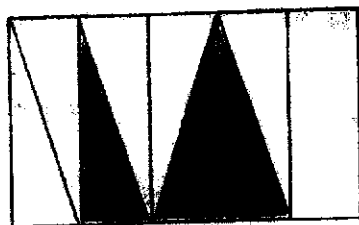
This paper is not to be reproduced in part or whole without the permission of the Principal.

Questions 6 to 8 carry 1 mark each. Questions 9 to 14 carry 2 marks each. Write your answers in the spaces provided. For questions which require units, give your answers in the units stated.

(15 marks)

Do not write  
in this space

6. Express the shaded part as a percentage.



Ans: \_\_\_\_\_ %

7. Maria has a roll of string that is 0.28 m long. She cuts it into 10 equal pieces. What is the length of each piece of string?

Ans: \_\_\_\_\_ m

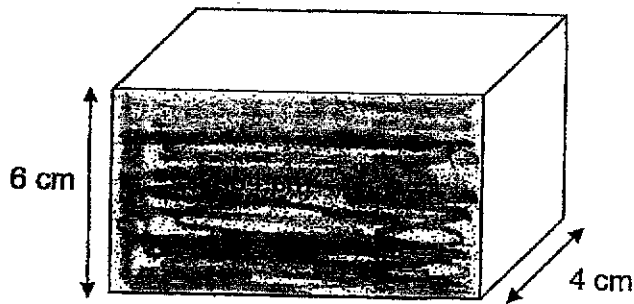
(Go on to the next page)

8. The total distance ran by a group of runners is 1498 km. The average distance ran by all the runners is 7 km. How many runners are there in the group?

Do not write  
in this space

Ans: \_\_\_\_\_

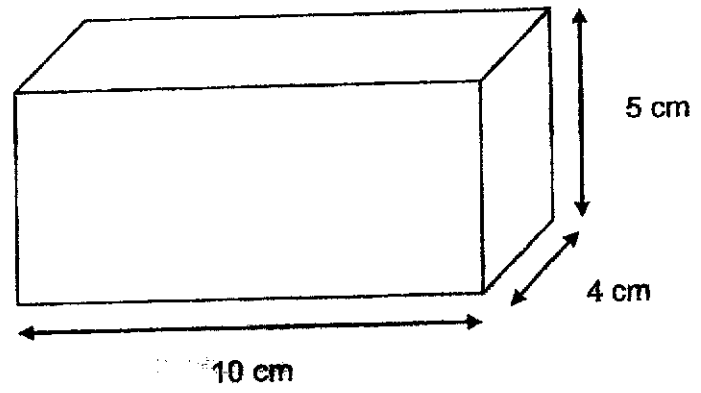
9. The diagram below shows an empty tank. The area of the shaded face of the tank is  $54 \text{ cm}^2$ . Find the capacity of the tank below.



Ans: \_\_\_\_\_  $\text{cm}^3$

(Go on to the next page)

10. Patty painted all the faces of a rectangular block of wood measuring 10 cm by 5 cm by 4 cm. Then she cut the block into 1-cm cubes. How many of the 1-cm cubes did not have any of its faces painted?



Do not write in this space

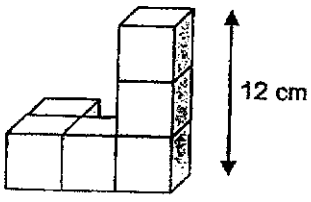
Ans: \_\_\_\_\_

11. In a class of 40 students, 12 students are boys. What percentage of the students are girls?

Ans: \_\_\_\_\_ %

(Go on to the next page)

12. May built a solid figure using 6 identical cubes as shown below. The height of the solid figure is 12 cm. What is the total volume of the solid figure?



Do not write  
in this space

Ans: \_\_\_\_\_ cm<sup>3</sup>

13. The total mass of a wooden box and a bag is 5 kg. The total mass of a wooden box and 4 bags is 12 kg 200 g. Find the mass of one bag. Give your answer in grams.

Ans: \_\_\_\_\_ g

(Go on to the next page)

14. Alex receives a monthly allowance of \$1000. He spends 80% of his allowance and saves the rest. How many months will it take him to save a total of \$12 000?

Do not write  
in this space

Ans: \_\_\_\_\_



End of Paper 1



**ROSYTH SCHOOL**  
**2024 WEIGHTED ASSESSMENT (TERM THREE)**  
**PRIMARY 5 MATHEMATICS**  
**PAPER 2**

Name: \_\_\_\_\_

Register No. \_\_\_\_\_

Class: Pr 5 - \_\_\_\_\_

Date: 20 August 2024

Parent's Signature: \_\_\_\_\_

Time: 30 min

Instructions to Pupils:

1. Do not turn over this page until you are told to do so.
2. Follow all instructions carefully.
3. Answer all questions.
4. **Show your workings clearly** as marks are awarded for correct working.
5. Use a dark blue or black ballpoint pen to write your answers in the space provided for each question.
6. Do not use correction fluid/tape.
7. Do not use highlighters on any part of your answers.
8. Write your answers in this booklet.
9. The use of an approved calculator is allowed.

Section	Maximum Marks	Marks Obtained
Q1 – 5	5	
Q6 – 14	15	
Q15 – 19	16	
Total	36	

\* This booklet consists of 6 pages (including this cover page).



This paper is not to be reproduced in part or whole without the permission of the Principal.

For Questions 15 to 19, show your working clearly in the space provided for each question and write your answers in the spaces provided. The number of marks available is shown in brackets [ ] at the end of each question or part-question. For which require units, give your answers in the units stated.

Do not write  
in this space

**All diagrams in this paper are not drawn to scale unless stated otherwise.**  
(16 marks)

15. The original price of a lamp is \$80. Ali bought two lamps during a sale as shown below. What was the price of the two lamps after adding 9% GST?

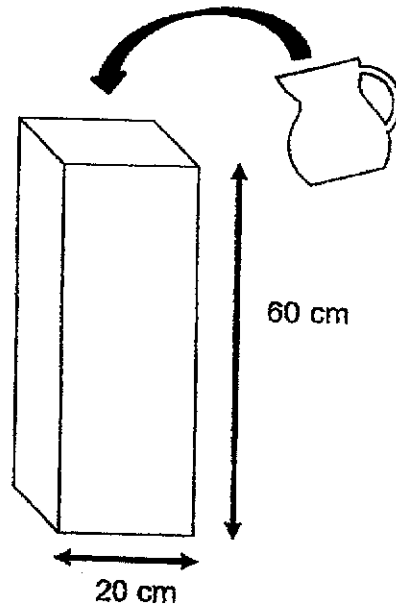
LAMP SALES!	
1 <sup>st</sup> lamp at 10% discount	2 <sup>nd</sup> lamp at 20% discount
	

Ans: \$ \_\_\_\_\_ [2]



(Go on to the next page)

16. Morgan has a rectangular tank with a square base of side 20 cm and a height of 60 cm. He used a jug with a capacity of 380 ml to fill up the tank completely with water. What is the least number of times that Morgan needed to pour water from the jug into the tank to fill the tank up completely?



Do not write  
in this space

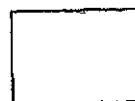
Ans: \_\_\_\_\_ [3]

(Go on to the next page)

17. The total length of 5 red strings in a tray is 450 cm. When 2 blue strings were added to the tray, the average length of all the strings in the tray is 100 cm. Find the average length of the 2 blue strings.

Do not write  
in this space

Ans: \_\_\_\_\_ [3]



(Go on to the next page)

18. 35 people wanted to share the cost of a present equally. However, 5 people decided not to pay for it. As a result, the remaining people each had to pay \$3.25 more. How much did the present cost?

Do not write  
in this space

Ans: \_\_\_\_\_ [4]

(Go on to the next page)

19. Kenny needed 120 pieces of ribbons, each of length 60.25 cm, to tie presents for a party. Ribbons are sold in rolls of 2 m each. Each roll of ribbon costs \$4.80.

a) What is the least number of rolls of ribbons that Kenny needs to buy?

Ans: \_\_\_\_\_ [3]

b) How much does he have to pay for the rolls of ribbons?

Ans: \_\_\_\_\_ [1]

End of paper

Do not write  
in this space

## ANSWER KEY

YEAR : 2024  
 LEVEL : PRIMARY 5  
 SCHOOL : ROSYTH  
 SUBJECT : MATHEMATICS  
 TERM : WA 3

Q1	3	Q2	1	Q3	4	Q4	1	Q5	2
----	---	----	---	----	---	----	---	----	---

Q6	$\frac{3}{10} \times 100 = 30\%$	Q7	0.028m
Q8	$1498 \div 7 = 214$	Q9	$6 \times 9 \times 4 = 216\text{cm}^3$
Q10	$10 - 2 = 8$ $4 - 2 = 2$ $5 - 2 = 3$ $8 \times 2 \times 3 = 48$	Q11	$\frac{28}{40} \times 100 = 70\%$
Q12	$4 \times 4 \times 4 = 64$ $64 \times 6 = 386\text{cm}^3$	Q13	$7200 \div 3 = 2400\text{g}$
Q14	$1000\text{g} \div 100 = 10$ $10 \times 80 = 800$ $12000 \div 200 = 60$		

## PAPER 2

Q15	$80 \div 100 = 0.8$ $0.8 \times 10 = 8$ $80 - 8 = 72$ $72 \div 100 = 0.72$ $0.72 \times 9 = 6.48$ $6.48 + 72 = 78.48$ $64 + 5.76 + 78.48 = \$148.24$	Q16	$20 \times 20 \times 60 = 24000$ $24000 \div 380 \approx 63$ $63 + 1 = 64$
Q17	$450 \div 5 = 90$ $100 \times 7 = 700$ $700 - 450 = 250$ $250 \div 2 = 125\text{cm}$	Q18	$3.25 \times 30 = 97.5$ $97.5 \div 5 = 19.5$ $19.5 \times 35 = \$682.5$
Q19	a) $200 \div 60.25 \approx 3$ $120 \div 3 = 40$ b) $40 \times 4.8 = \$192$		

1  
END

